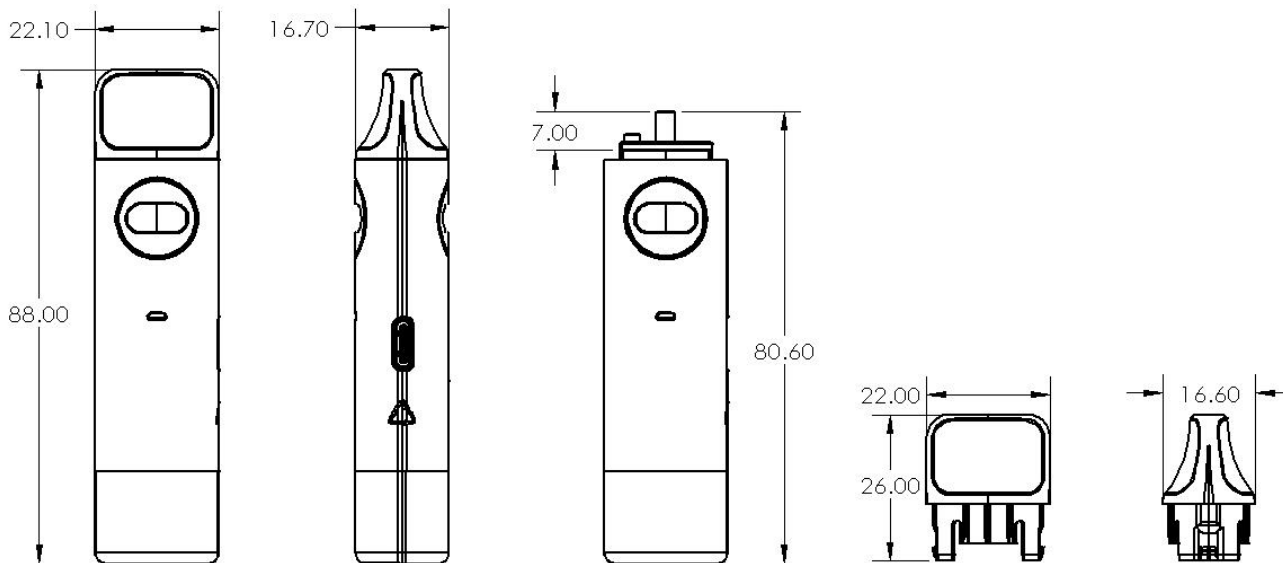
		DOCUMENT NO:	CDS-LX3918-75nXXXX	VER:	1.1
		Eco Star; PLAnt Rechargeable Disposable			EFFECTIVE DATE:
APPROVAL:	ECO-380	Jupiter PN(s):	See part number legend		PAGE 1 OF 6




**All dimensions are in mm*


Description: All-in-one disposable vape pen, top fill cartridge design

Features:

- CCELL Technology atomizer (EVO MAX) – heating element embedded in porous ceramic
- Breath actuated
- 180 mAh Li-ion battery cell
- Biodegradable PLA housing (ETP option also available)
- Easily removable, recyclable battery
- Clog-free dual air vents
- Isolated airway
- USB-C charging
- Operational viscosity ranges from 1,000 - 2,000,000 cPs @ 25°C [77°F]


	DOCUMENT NO:	CDS-LX3918-75nXXXX	VER:	1.1
	Eco Star; PLAnt Rechargeable Disposable			EFFECTIVE DATE:
APPROVAL:	ECO-380	Jupiter PN(s):	See part number legend	PAGE 2 OF 6

Specifications			
Internal Volume	Gross	0.55 ml	1.05 ml
	Max. fill volume	0.50 ml	1.00 ml
Weight, empty with Mouthpiece	PLA version: 23 grams ETP version: 23.1 grams		
Output Voltage with standard resistance 1.7ohms	3.4 Vrms		
Activation Time	0-10s; Other time durations available by request		
Fluid Inlet Diameter	Standard inlet diameter is 2.6mm; Other inlet options available upon request		
Number of inlet holes	2		
Viscosity Range	1,000 – 2,000,000 cPs @ 25°C [77°F] Please see the Viscosity Recommendation table for more detail		
Wetted Materials	Fluid Housing	ETP (Engineering Thermoplastic)	
	Mouthpiece	Biodegradable PLA or ETP	
	Atomizer shell and base	Stainless Steel	
	Heating element	Nichrome	
	Wick	Ceramic	
	Atomizer retaining wrap	Cellulose	
	Seals	Silicone	
	Battery Housing	Biodegradable PLA or ETP	
Battery Cell Capacity	180 mAh Li-ion		
Max. Current Output	3 A		
Safety Features	Short-Circuit Protection	Output deenergizes with load $\leq 0.4 \Omega$. LED lights up for 2 seconds to indicate a short.	
	Over-Usage Protection	Output is deenergized after 10 seconds of continuous activation. LED flashes twice.	

	DOCUMENT NO:	CDS-LX3918-75nXXXX	VER:	1.1
	Eco Star; PLAnt Rechargeable Disposable			EFFECTIVE DATE:
APPROVAL:	ECO-380	Jupiter PN(s):	See part number legend	PAGE 3 OF 6

Low Battery Indication	LED flashes 10 X																																
Branding Options	Available with MOQ																																
Safety Certifications	<ul style="list-style-type: none"> • RoHS • CE • FCC • BPI (biodegradable PLA certification) 																																
Operating Temperature and Humidity	<ul style="list-style-type: none"> ○ Charging Temperature: 10°C to 45 °C (50 °F to 113 °F) ○ Working Temperature: 0°C to 60 °C (32 °F to 140 °F) ○ Operating humidity: 35% to 70%RH 																																
Storage Temperature and Humidity	<ul style="list-style-type: none"> ○ Storage Temperature: 23 ± 5 °C (64.4 °F to 82.4 °F) Storage Humidity: <ul style="list-style-type: none"> PLA version: 35 to 50%RH ETP version: 35 to 70%RH <table border="1" data-bbox="548 1092 1464 1314"> <thead> <tr> <th colspan="8">Eco Star PLA version Shelf Life</th> </tr> </thead> <tbody> <tr> <td>Temperature</td> <td>25 °C /77 °F</td> <td>30 °C /86 °F</td> <td>40 °C /104 °F</td> <td>55 °C /131 °F</td> <td>60 °C /140 °F</td> <td>60 °C /140 °F</td> <td>60 °C /140 °F</td> </tr> <tr> <td>Humidity</td> <td>50%</td> <td>60%</td> <td>75%</td> <td>95%</td> <td>10%</td> <td>60%</td> <td>90%</td> </tr> <tr> <td>Shelf Life (Days)</td> <td>1203</td> <td>397</td> <td>60</td> <td>5</td> <td>175</td> <td>6</td> <td>3</td> </tr> </tbody> </table> <p>The table indicates the shelf life of the product stored in this environment. After the time is exceeded, the structure may loosen and the sealing performance may deteriorate, resulting in leakage.</p> <p>Example: If the product is ≤25 °C (77 °F), ≤50%RH, the shelf life is 1203 days.</p>	Eco Star PLA version Shelf Life								Temperature	25 °C /77 °F	30 °C /86 °F	40 °C /104 °F	55 °C /131 °F	60 °C /140 °F	60 °C /140 °F	60 °C /140 °F	Humidity	50%	60%	75%	95%	10%	60%	90%	Shelf Life (Days)	1203	397	60	5	175	6	3
Eco Star PLA version Shelf Life																																	
Temperature	25 °C /77 °F	30 °C /86 °F	40 °C /104 °F	55 °C /131 °F	60 °C /140 °F	60 °C /140 °F	60 °C /140 °F																										
Humidity	50%	60%	75%	95%	10%	60%	90%																										
Shelf Life (Days)	1203	397	60	5	175	6	3																										
Shipping conditions	<ul style="list-style-type: none"> ○ Transport Temperature: 23 ± 5 °C (64.4 °F to 82.4 °F) ○ Relative Humidity: <ul style="list-style-type: none"> PLA version: 35 to 50%RH ETP version: 35 to 70%RH ○ Atmospheric pressure: 86kpa~106kpa 																																

Part Number Legend – LX3918-7mnXXXX*-YYZZZ

		DOCUMENT NO:	CDS-LX3918-75nXXXX	VER:	1.1
		Eco Star; PLAnt Rechargeable Disposable			EFFECTIVE DATE:
APPROVAL:	ECO-380	Jupiter PN(s):	See part number legend		PAGE 4 OF 6

<ul style="list-style-type: none"> m -> Shell Material <ul style="list-style-type: none"> o 5 for PLA o 6 for ETP 	<ul style="list-style-type: none"> n -> Filling Volume <ul style="list-style-type: none"> o 5 for 0.5ml o 1 for 1.0ml 	<ul style="list-style-type: none"> YYY -> Device Power <ul style="list-style-type: none"> o 000 for (3.4V & 1.7ohm)
<ul style="list-style-type: none"> ZZZ -> Fluid Inlet Dia. <ul style="list-style-type: none"> o 000 for 2*2.6mm o 002 for 4*2.0mm 	<ul style="list-style-type: none"> Mouthpiece: <ul style="list-style-type: none"> o LX9000-755XXXX for 0.5ml PLA o LX9000-751XXXX for 1.0ml PLA o LX9000-765XXXX for 0.5ml ETP o LX9000-761XXXX for 1.0ml ETP 	

*XX digits denote product branding


Viscosity Recommendation Table

	EVO MAX – Standard Airway
Recommended Viscosity	Up to 2,000,000cps
Recommended Oil Type*	Distillate, Live Resin, Live Rosin, Liquid Diamonds
Recommended inlet sizes	2.6mm inlet

*Highlighted are the optimal oils to be used.

Operating Guidance/Features

- Actuation Indication
 - When start vaping, the engaged LED will be on gradually, and once stop vaping, the LED will be off gradually.
- Low battery indication
 - $V_{CELL} < 3.3 \pm 0.1 V$, output shall be de-energized, and LED shall flash 10X.
- Short circuit
 - Device shall not activate output with a load $\leq 0.4 \pm 0.2 \Omega$. LED shall light for 2 seconds.
- Over-use protection
 - Output shall be de-energized, and LED shall flash 2X if actuated continuously for 10 ± 2 seconds.
- Charging
 - Plug in a 5V output charger, the battery stay on the charging status and the LED constantly lights.
 - When disconnect the battery from charger, LED blinks 3 times and then extinguishes.
 - When the battery fully charged, the LED lights turn off.

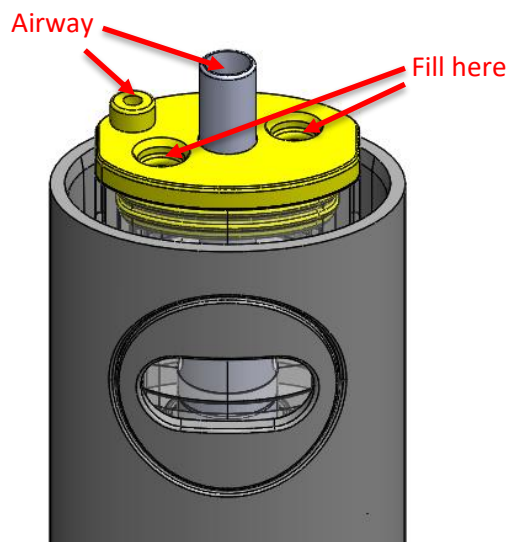
		DOCUMENT NO:	CDS-LX3918-75nXXXX	VER:	1.1
		Eco Star; PLAnt Rechargeable Disposable			EFFECTIVE DATE:
APPROVAL:	ECO-380	Jupiter PN(s):	See part number legend		PAGE 5 OF 6

Eco Star Filling Instructions

Failure to follow these instructions may result in cartridge leakage of poor performance.

Filling Instructions

1. Insert a blunt tipped needle (14 ga. or smaller) into the injection hole of the silicone part (see the image below). Hold upright and fill both sides through the injection holes. For 1.0ml version: fill with 1.0ml of oil (0.5ml on each side); For 0.5ml version: fill with 0.5ml of oil (0.25ml on each side).




Caution: Do not overfill.

Caution: Do not allow fluid to enter the airways (center tube and isolated airway).

2. Immediately after filling, install and press fit the mouthpiece. Recommended pressing force range is 22.5 lbF – 45 lbF (per one device), the mouthpiece is installed correctly when the snap lock is in place. After assembling, the device with mouthpiece should have a total height around 88 mm (see drawing at the first page for reference)

Caution: Failure to install the mouthpiece within 2 minutes of filling may result in leakage.

3. Cartridges should be allowed to stand for at least 30 minutes before use. During this time, fluid is priming the atomizer. The rate that the atomizer saturates is dependent upon the viscosity of the fluid. More viscous fluids may require more time.
4. If the cartridge/device is to experience a pressure change as a result of an increase in temperature or a change in elevation, the cartridge/device must be shipped with the MP facing down, allowing for the inlets to be exposed to ambient air.

		DOCUMENT NO:	CDS-LX3918-75nXXXX	VER:	1.1
		Eco Star; PLAnt Rechargeable Disposable			EFFECTIVE DATE: 10/24/2024
APPROVAL:	ECO-380	Jupiter PN(s):	See part number legend		PAGE 6 OF 6

Preloaded Filling Instructions

- Recommended Closure Force (25pcs)
 - 562 lbf -1124 lbf (2500 N-5000 N)



STEP 1
Place the preloaded battery tray onto the baseboard.



STEP 2
Place the deflector over the tray.



STEP 3
Fill oil into the devices' reservoirs.



STEP 4
Place the preloaded mouthpiece tray onto the deflector.



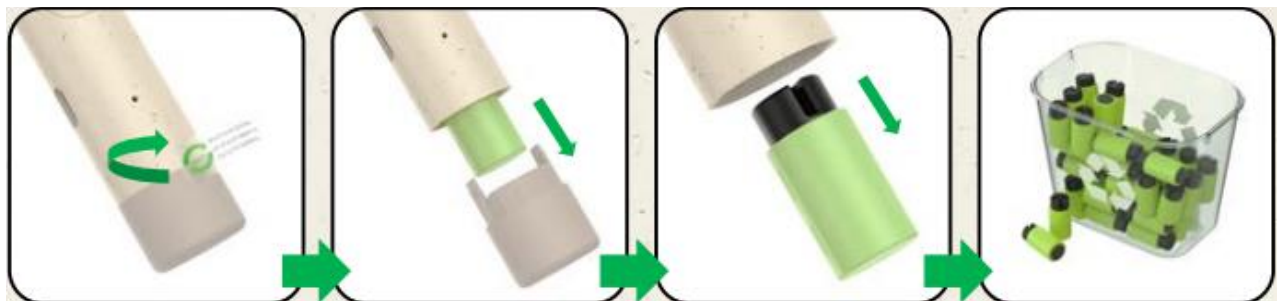
STEP 5
Gently tamp down the mouthpieces to ensure they are aligned with the batteries.



STEP 6
Press with machine to seal off the filled devices.

Eco Star Battery Removal Instructions

The Eco Star's battery is easily removable from its housing for recycling, follow the process below to remove the battery:



For Technical Assistance please contact us at:
CS@JupiterResearch.com