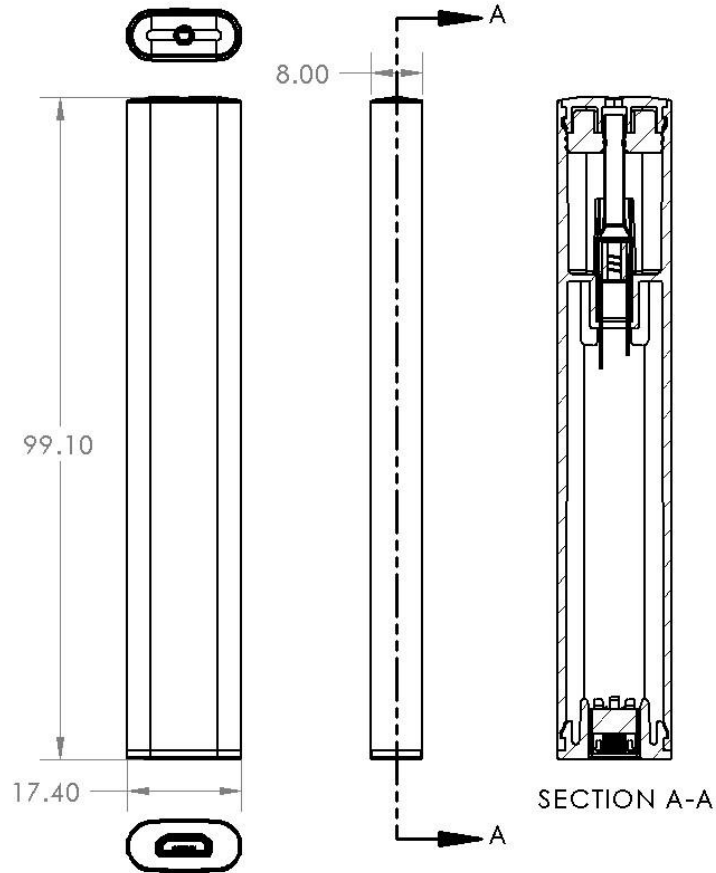
	DOCUMENT NO:	CDS - IX3010-260XXX-YYYZZZ	VER:	1.2
	Liquid eXpendable (IX) 1000 Infinity			EFFECTIVE DATE: 2024June13
APPROVAL:	ECO-351	Jupiter PN(s):	See part number legend	PAGE 1 OF 4




**Drawing dimensions in mm*


Description: All-in-one disposable rechargeable vape pen, top fill cartridge design

Features:

- CCELL Technology atomizer – heating element embedded in porous ceramic
- Breath actuated
- 210 mAh Li-ion battery cell
- Tamper resistant press-fit mouthpiece
- Device is rechargeable using micro-USB connection
- Device can be filled up to 1.0ml and the available oil window can be controlled by the label wrap
- Operational viscosity ranges from 1,000 - 700,000 cPs @ 25°C [77°F]

	DOCUMENT NO:	CDS - IX3010-260XXX-YYYZZZ	VER:	1.2
	Liquid eXpendable (IX) 1000 Infinity			EFFECTIVE DATE: 2024June13
APPROVAL:	ECO-351	Jupiter PN(s):	See part number legend	PAGE 2 OF 4

Specifications		
Filling volume	1.0 ml	
Weight, empty with Mouthpiece	14.0 ± 2 grams	
Power Output	Standard power output is 9W (3.5V & 1.4ohms); Other power options are available upon request	
Activation time	0-10s; Other time durations available by request	
Fluid Inlet Diameter (± 0.1mm)	2.6mm, 2.0mm, & 1.5mm options available upon request	
Viscosity Range	1,000 - 700,000 cPs @ 25°C [77°F]	
Wetted Materials	Housing/Reservoir	Eng. Thermoplastic (proprietary)
	Mouthpiece	Eng. Thermoplastic (proprietary)
	Atomizer shell/airway	Stainless Steel (SSTL)
	Heating element	Nichrome
	Wick	Ceramic
	Atomizer retaining wrap	Cellulose
	Seals	Silicone
Battery Cell Capacity	210 mAh Li-ion	
Max. Current Output	3 A	
Safety Features	Short-Circuit Protection	Output deenergizes with load < 0.4 ± 0.1 Ω. LED lights and remains on for only 2 seconds to indicate a short.
	Over-Usage Protection (Custom options available upon request.)	Output is deenergized after 10 seconds (±20%) of continuous activation. LED flashes twice.
Low Battery Indication	LED flashes 10 X	

	DOCUMENT NO:	CDS - IX3010-260XXXX-YYYZZZ	VER:	1.2
	Liquid eXpendable (IX) 1000 Infinity			EFFECTIVE DATE:
APPROVAL:	ECO-351	Jupiter PN(s):	See part number legend	PAGE 3 OF 4


Charging Guide	<p>LED constantly lights during charging</p> <p>When disconnected from charger, LED blinks 3 times and then extinguishes</p> <p>When fully charged, LED blinks 20 times and the extinguishes</p> <p>*Charger port is shallow and does not require full insertion of male charging connector to start charging*</p> <p>*Do not plug male charging connector in at an angle or it may cause damage*</p>
Branding Options	Available with MOQ
Part Number Legend – IX3010-260XXXX*-YYYZZZ	
<ul style="list-style-type: none"> ● YYY -> Cartridge Power <ul style="list-style-type: none"> ○ 000 for 9W (3.5V & 1.4ohm) ○ 015 for 8W (3.5V & 1.5ohm) ○ 017 for 7W (3.5V & 1.7ohm) ○ 019 for 6W (3.5V & 1.9ohm) 	<ul style="list-style-type: none"> ● ZZZ -> Fluid Inlet Dia. <ul style="list-style-type: none"> ○ 000 for 2.6mm ○ 015 for 1.5mm ○ 020 for 2.0mm

*XXXX digits denote product branding

Safety:

1. If the cartridge/device is to experience a pressure change as a result of an increase in temperature or a change in elevation, the cartridge/device must be shipped with the MP facing down, allowing for the inlets to be exposed to ambient air.
2. Storage and Operation Recommendations:

Operating Temperature and Humidity	<ul style="list-style-type: none"> ○ Charging Temperature: 10 °C to 45 °C ○ Working Temperature: -10 °C to 60 °C ○ Operating humidity: 35% to 70%
Storage Temperature and Humidity	<ul style="list-style-type: none"> ○ Storage Temperature: 23 ± 5 °C ○ Storage Humidity: 35% to 70%

	DOCUMENT NO:	CDS - IX3010-260XXX-YYYZZZ	VER:	1.2
	Liquid eXpendable (IX) 1000 Infinity			EFFECTIVE DATE:
APPROVAL:	ECO-351	Jupiter PN(s):	See part number legend	PAGE 4 OF 4

3. Safety Certifications

- RoHS
- CE
- FCC

Jupiter LX Infinity Filling Instructions

1. Insert a blunt tipped needle between the airway and reservoir. Holding upright, fill each side of the reservoir with 0.5mL of oil (1.0ml total).
***Do NOT overfill**
***Do NOT allow oil to enter the airway**
2. Immediately after filling, insert and press the mouthpiece into the device until it is fully seated.
***Failure to insert the mouthpiece immediately may cause leakage. It is recommended to insert the mouthpiece in less than 2 minutes after filling, but this will change based on oil viscosity.**
3. Waiting 30 minutes for the atomizer to saturate is recommended before use.
***Saturation time will change based on oil viscosity**

Mouthpiece



Insert Filling Needle Here and Here



For Technical Assistance please contact us at:
CS@JupiterResearch.com