
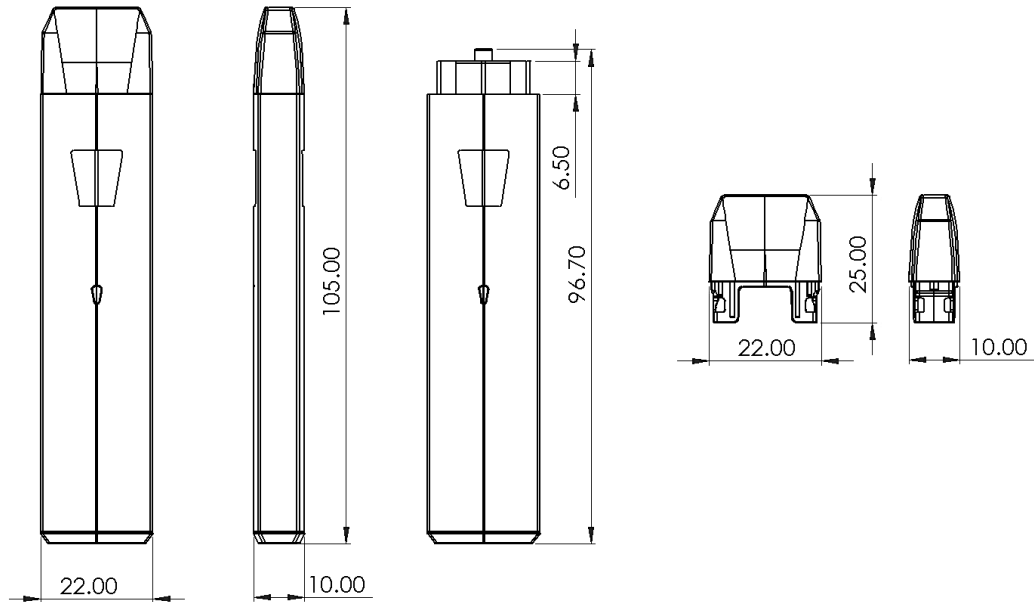


jupiter 	DOCUMENT NO:	CDS-LX3935-440XXXX	VER:	1.0
	Ridge			EFFECTIVE DATE: 8/31/2022
APPROVAL:	ECO-255	Jupiter PN(s):	LX3935-440XXXX	PAGE 1 OF 4




Description: All-in-one disposable vape pen, top fill cartridge design


Features:

- CCELL Technology atomizer – heating element embedded in porous ceramic
- Breath actuated
- 300 mAh Li-ion battery cell
- Crushproof SS cartridge housing
- Tamper resistant press-fit mouthpiece
- Operational viscosity ranges from 1,000 - 700,000 cPs @ 25°C [77°F]
- Available in varying powers and fluid inlet sizes to customize vapor feel and taste

Specifications		
Internal Volume	Gross	2.0ml
	Max. fill volume	2.0ml
Weight, empty with Mouthpiece	21.6	


	DOCUMENT NO:	CDS-LX3935-440XXXX	VER:	1.0
	Ridge			EFFECTIVE DATE: 8/31/2022
APPROVAL:	ECO-255	Jupiter PN(s):	LX3935-440XXXX	PAGE 2 OF 4

Power	Standard power is 9W (3.5V & 1.4ohm), Other options available by request, see part number legend	
Activation Time	0-10s; Other time durations available by request	
Fluid Inlet Diameter	Standard inlet diameter is 2.6mm; 1.5mm ~ 2.6mm options available upon request	
Number of inlets	2	
Viscosity Range	1,000 - 700,000 cPs @ 25°C [77°F]	
Wetted Materials	Fluid Housing	Stainless Steel (SS)
	Mouthpiece	Eng. Thermoplastic (proprietary)
	Airway, atomizer shell, base	Stainless Steel (SS)
	Heating element	Nichrome
	Wick	Ceramic
	Atomizer retaining wrap	Cellulose
	Seals	Silicone
	Battery Housing	Stainless Steel (SS)
Battery Cell Capacity	300 mAh Li-ion	
Max. Current Output	3 A	
Safety Features	Short-Circuit Protection	When the resistance of loading less than 0.4(±0.2)Ω, power will turn off. The LED keep shining 2 seconds then turn off.
	Over-Usage Protection	When Any time suctioning lasts for more than 10(±2)S, the power will cut off, and the LED will flash two times then turn off
Low Battery Indication	LED flashes 10 X	
Branding Options	Available with MOQ	

	DOCUMENT NO:	CDS-LX3935-440XXXX	VER:	1.0
	Ridge			EFFECTIVE DATE:
APPROVAL:	ECO-255	Jupiter PN(s):	LX3935-440XXXX	PAGE 3 OF 4

Operating Temperature and Humidity	<ul style="list-style-type: none"> ○ Charging Temperature: 10°C to 45°C ○ Working Temperature: 0°C to 60°C ○ Operating humidity: 35% to 70% 		
Storage Temperature and Humidity	<ul style="list-style-type: none"> ○ Storage Temperature: 23 ± 5 °C ○ Storage Humidity: 35% to 70% 		
Safety Certifications	<ul style="list-style-type: none"> ○ RoHS ○ FCC ○ CE 		
Part Number Legend – LX3935-440XXXX			
<ul style="list-style-type: none"> • YYY -> Cartridge Power <ul style="list-style-type: none"> ○ 009 for (3.5V & 1.4ohm) ○ 007 for (3.5V & 1.7ohm) ○ 016 for (3.5V & 1.9ohm) 	<ul style="list-style-type: none"> • ZZZ -> Fluid Inlet Dia. <ul style="list-style-type: none"> ○ 000 for 2.6mm ○ 002 for 2.0mm ○ 015 for 1.5mm 	<ul style="list-style-type: none"> • Mouthpiece - LX9000-440XXXX-023 	

**XX digits denote product branding*

		DOCUMENT NO:	CDS-LX3935-440XXXX	VER:	1.0
		Ridge			EFFECTIVE DATE:
APPROVAL:	ECO-255	Jupiter PN(s):	LX3935-440XXXX	PAGE 4 OF 4	

Jupiter New Ridge Filling Instructions

1. Insert a blunt tipped needle between the airway and reservoir. Holding upright, fill the both sides next to airway with 1.0mL of oil.
***Do NOT overfill**
***Do NOT allow oil to enter the airway**
2. Check if the silicon ring on mouthpiece is set in place properly.
3. Immediately after filling, place the mouthpiece on top of the body aligned with reservoir horizontally and press into position.
***Failure to insert the mouthpiece immediately may cause leakage. It is recommended to insert the mouthpiece in less than 1 minute after filling, but this will change based on oil viscosity.**
4. Check if mouthpiece is pressed in completely and properly. Let the filled product sit for at least 30 minutes before using.
***Saturation time will change based on oil viscosity**

For Technical Assistance please contact us at:
CS@JupiterResearch.com

